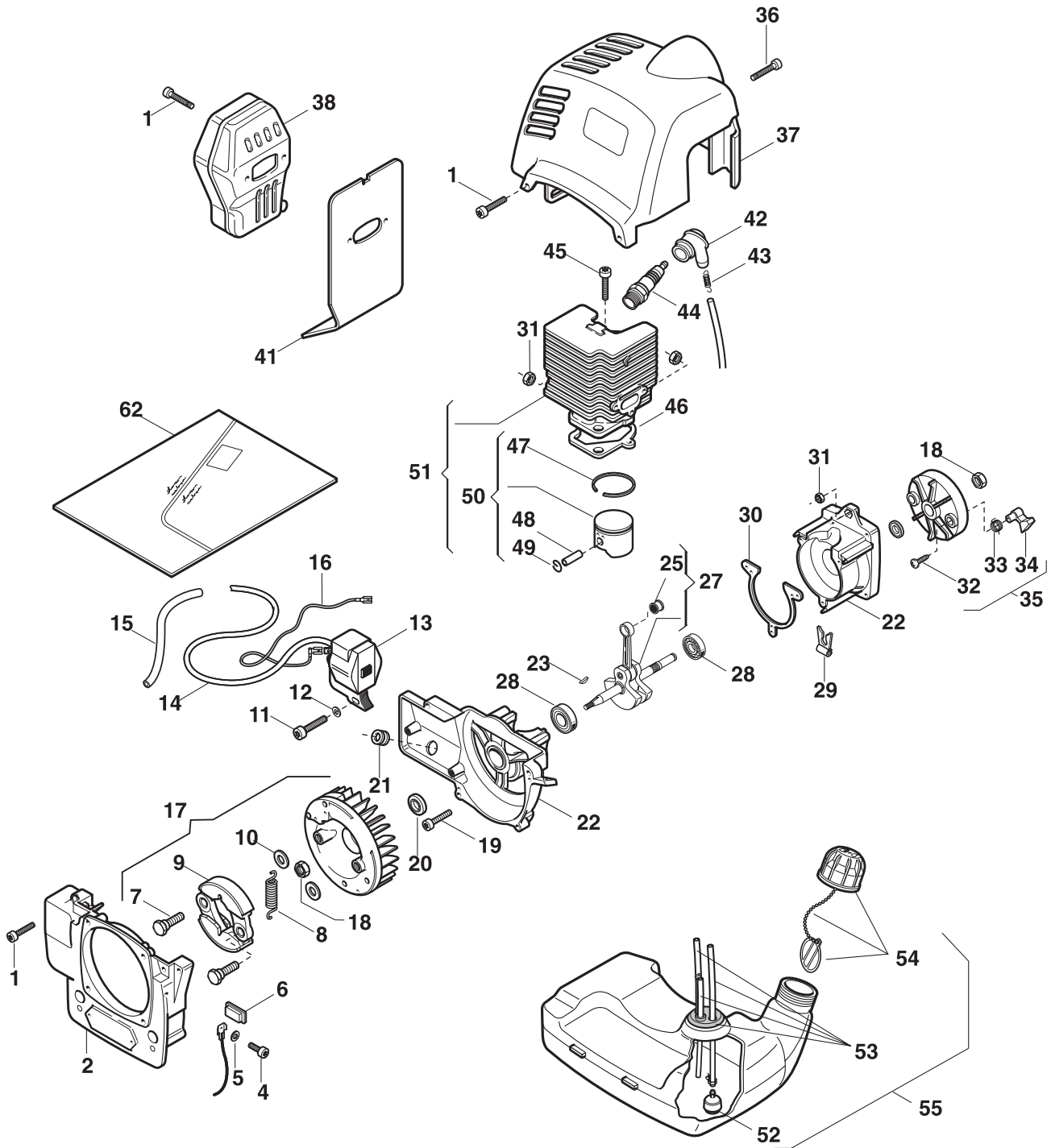
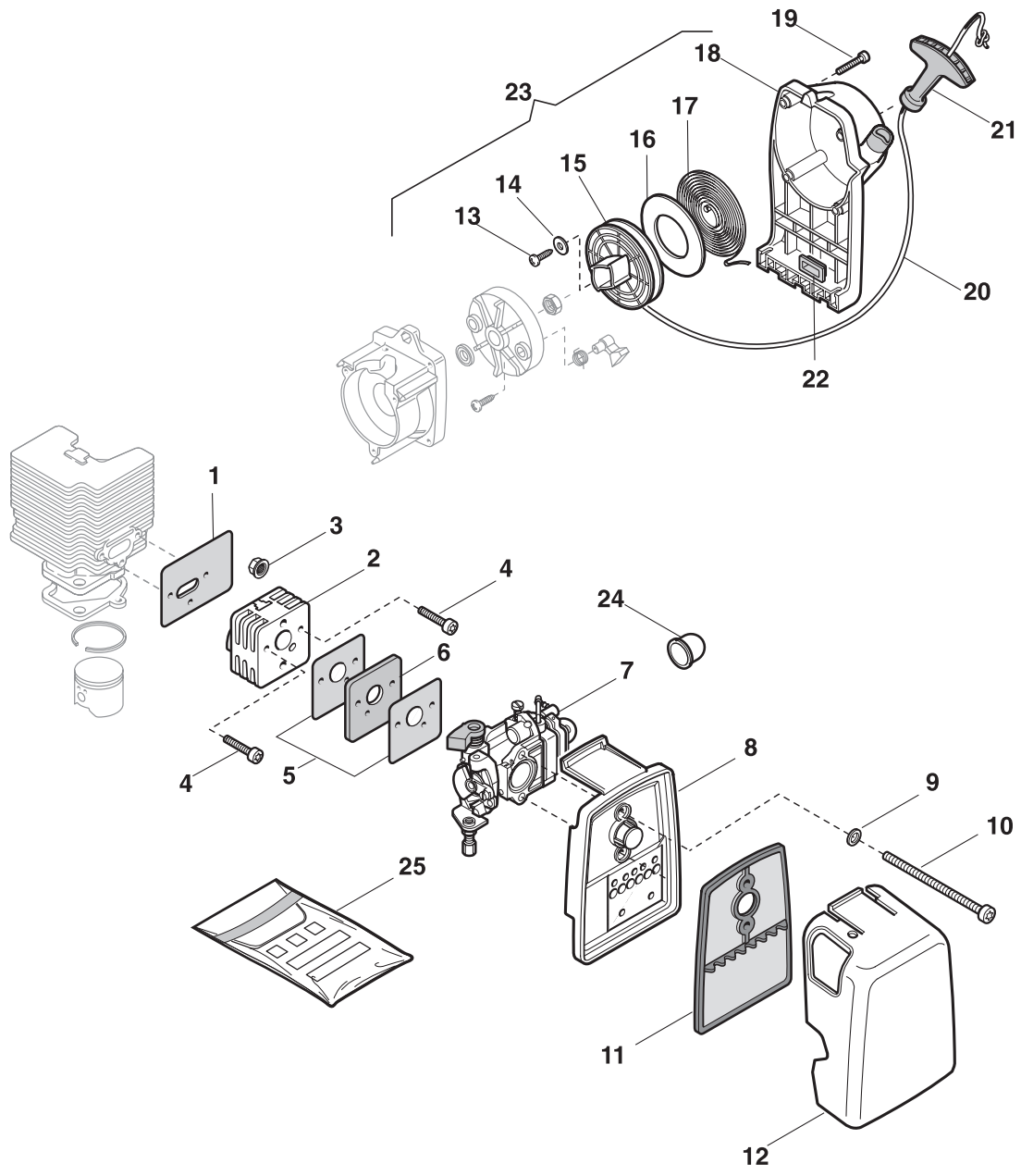


N°	Code	Q.ty	Descrizione	Description	Description	Beschreibung	Remarks
1	2135040	2	Vite	Screw	Vis	Schraube	
2	4540820	1	Carter Supporto Trasm.	Transm. Support Case	Carter Support Transm.	Gehäuse Getriebe- plattform	
4	2132500	1	Vite	Screw	Vis	Schraube	
5	2312120	1	Rondella	Washer	Rondelle	Unterlegscheibe	
6	3745530	4	Gommino Supporto	Serb.Grommet	Rondelle Caoutchouc	Gummiträger	
7	2653280	2	Vite Fissaggio Massa	Friz.Screw	Vis	Schraube	
8	3654090	1	Molla Frizione	Spring	Ressort	Kupplungsfeder	
9	3660450	2	Massa Frizione	Clutch Unit	Embrayage	Reibungsmasse	
10	2321100	2	Rosetta	Washer	Rondelle	Scheibe	
11	2132510	2	Vite	Screw	Vis	Schraube	
12	2321050	2	Rondella	Washer	Rondelle	Unterlegscheibe	
13	3210662	1	Bobina Elettronica	Electronic Coil	Bobine Électronique	Elektronikspule	
14	3211080	1	Filo Bobina	Spark Plug Cable	Fil Bobine	Draht Zündkerze	
15	3782040	1	Guaina Cavo	Wire Sheath	Gaine Câble	Kabelmantel	
16	3211410	1	Cavo Massa	Earth Cable	Câble Masse	Erdungskabel	
17	4251470	1	Ass. Volano C/Masse (Incl.7,9,10)	Flywheel Ass.Y (Incl.7,9,10)	Ens. Volant (Incl.7,9,10)	Schwungrad Ma- gnet (Inkl.7,9,10)	
18	2670120	2	Dado	Nut	Ecrou	Mutter	
19	2135050	3	Vite	Screw	Vis	Schraube	
20	3121070	2	Anello Di Tenuta	Seal Ring	Anneau De Tenue	Dichtring	
21	3745130	1	Gommino Passacavo	Grommet	Rondelle Caoutchouc	Lippklampe	
22	8540680	1	Coppia Carter Motore	Cranckase Ass.Y	Ens. Carter Moteur	Paar Motorabde- ckung	
23	3151010	1	Linguetta Volano	Flywheel Key	Clavette Volant	Lasche Schwungrad	
24	3614480	2	Rasamento Albero Motore	Washer	Rondelle	Passsch. Welle Motor	
25	3116100	1	Astuccio A Rulli	Needle Bearing	Roul. À Aiguilles	Walzenrohr	
26	3614891	2	Rasamento Pistone	Washer	Rondelle	Passscheibe Kolben	
27	8250830	1	Ass. Albero Motore (Incl.25)	Cranckshaft (Incl.25)	Arbre Moteur (Incl.25)	Set Motorwelle (Incl.25)	
28	3112240	2	Cuscinetto	Bearing	Roul. À Billes	Kugellager	
29	3750280	1	Guida Passacavo	Massathread Guide	Guide-Fil	Lippklampe	
30	3724031	1	Guarnizione Carters	Gasket	Joint	Dichtung Abde- ckung	
31	2432040	5	Dado	Nut	Ecrou	Mutter	
32	2123100	2	Vite	Screw	Vis	Schraube	
33	3654050	2	Molla Aggancio Avviamento	Spring	Ressort	Feder Starter	
34	3749570	2	Aggancio Avviamento	Starter Hook	Fixation Démarreur	Sperre Starter	
35	8540810	1	Ass. Coppa Avviamento (Incl.32-36)	Starter Cup Ass.Y (Incl.32-36)	Ens.Coupe Démarreur (Incl.32-36)	Schwungrad Ma- gnet (Inkl.32-36)	
36	2135030	1	Vite	Screw	Vis	Schraube	
37	4563690	1	Cuffia Copricilindro Gialla	Cylinder Cover Ass.Y Yellow	Couvercle Cylindre Jaune	Gelbe Motorabde- ckung	
37	4563693	1	Cuffia Copricilindro Rossa	Cylinder Cover Ass.Y Red	Couvercle Cylindre Rouge	Rote Motorabde- ckung	
38	4122140	1	Ass. Silenziatore	Muffler Assy	Silencieux	Set Schalldämpfer	
41	3724370	1	Guarnizione Silenziatore	Muffler Gasket	Joint Silencieux	Dichtung Schall- dämpfer	
42	3744850	1	Cappuccio Candela	Spark Plug Cover	Capuchon Bougie	Zündkerzenkappe	
43	3657530	1	Terminale Filo Candela	Spark Plug Spring	Borne Fil Bougie	Drahtende Zün- dkerze	
44	3210024	1	Candela	Spark Plug	Bougie	Zündkerze	
45	2135150	2	Vite	Screw	Vis	Schraube	
46	3724250	1	Guarnizione Cilindro	Cylinder Gasket	Joint Cylindre	Zylinderdichtung	
47	3123210	1	Segmento X Mod. Ø 35	Piston Ring X Mod. Ø 35	Segment X Mod. Ø 35	Kolbenring X Mod. Ø 35	
48	3158220	1	Spinotto Pistone Ø 35	Piston Pin Ø 35	Pointeau Pistonø 35	Kolbenbolzen Ø 35	
49	3356050	2	Fermo Spinotto	Circlip	Circlip	Sperre Bolzen	



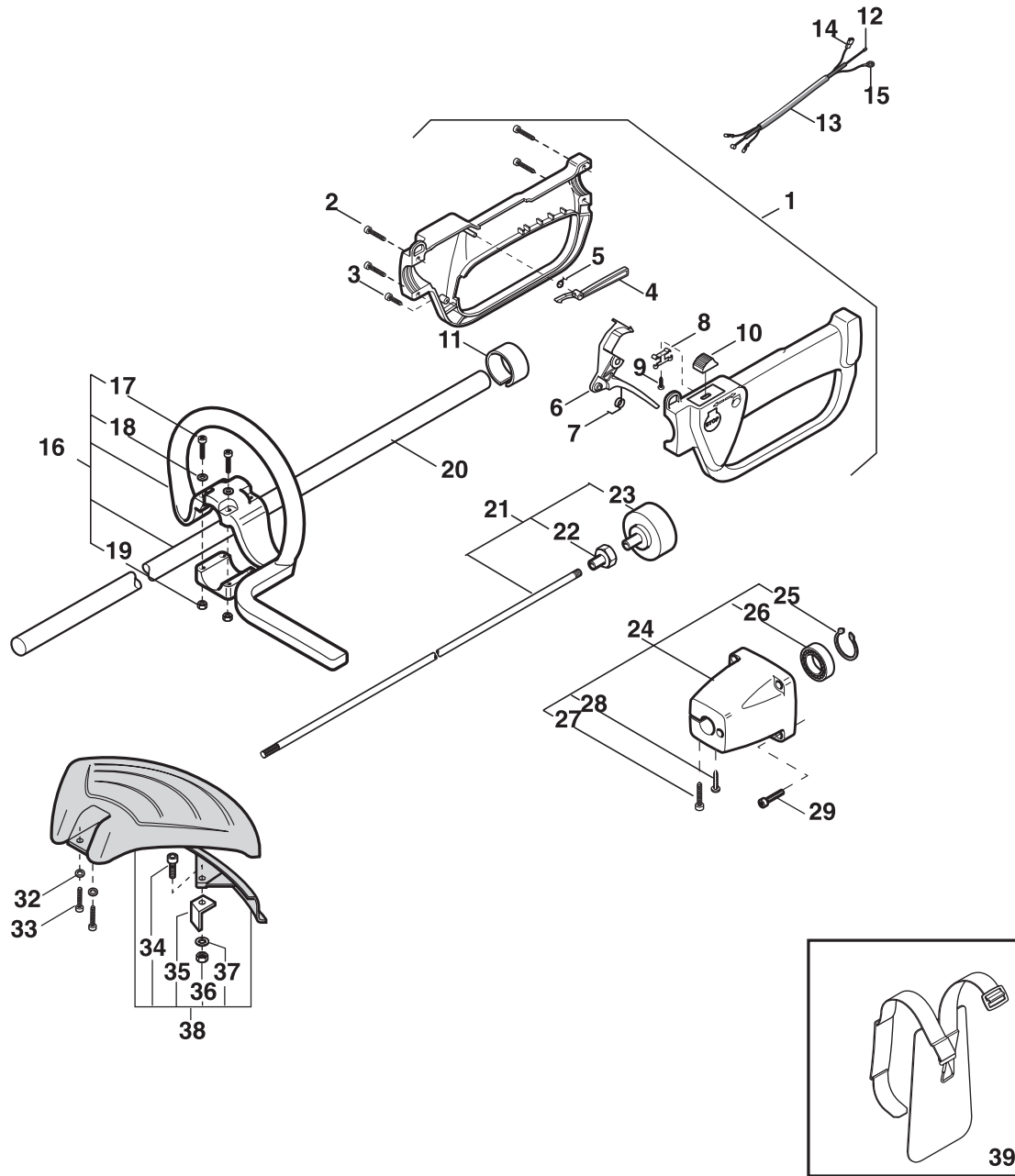


N°	Code	Q.ty	Descrizione	Description	Description	Beschreibung	Remarks
50	8541100/1	1	Ass. Pistone Ø 35 (Incl.26,47-49)	Mod.31Piston Ass.Y Ø 35 (Incl.26,47-49)	Ens.Piston Ø 35 (Incl.26,47-49)	Set Kolben Ø 35 (Inkl.26,47-49)	
51	8541090/1	1	Ass. Cilindro-Pistone Ø 35 (Incl.50)	D35Cylinder-Piston Ass.Y Ø 35 (Incl.50)	Ens.Cylindre-Piston Ø 35 (Incl.50)	Set Zylinder-Kolben Ø 35 (Inkl.50)	
52	4253290	1	Pescante Miscela	Intake Filter	Filtre D'Aspiration	Tauchsonde	
53	8745541	1	Ass. Gommino Passatubi	Grommet Ass.Y	Ens.Rondelle Caoutchouc	Set Gummiringe	
54	8741370	1	Ass. Tappo Miscela	Fuel Cap Ass.Y	Ens.Bouchon Mélange	Deckel Treibstoff	
55	4252530	1	Ass. Serbatoio Mix (Incl.52-54)	Fuel Tank Ass.Y (Incl.52-54)	Ens.Réservoir Mélange (Incl.52-54)	Set Treibstofftank (Inkl.52-54)	
62	8724370	1	Serie Guarnizioni Motore (Incl.30,41,46)	Gasket Set (Incl.30,41,46)	Série Joints (Incl.30,41,46)	Set Motordichtun- gen (Inkl.30,41,46))	



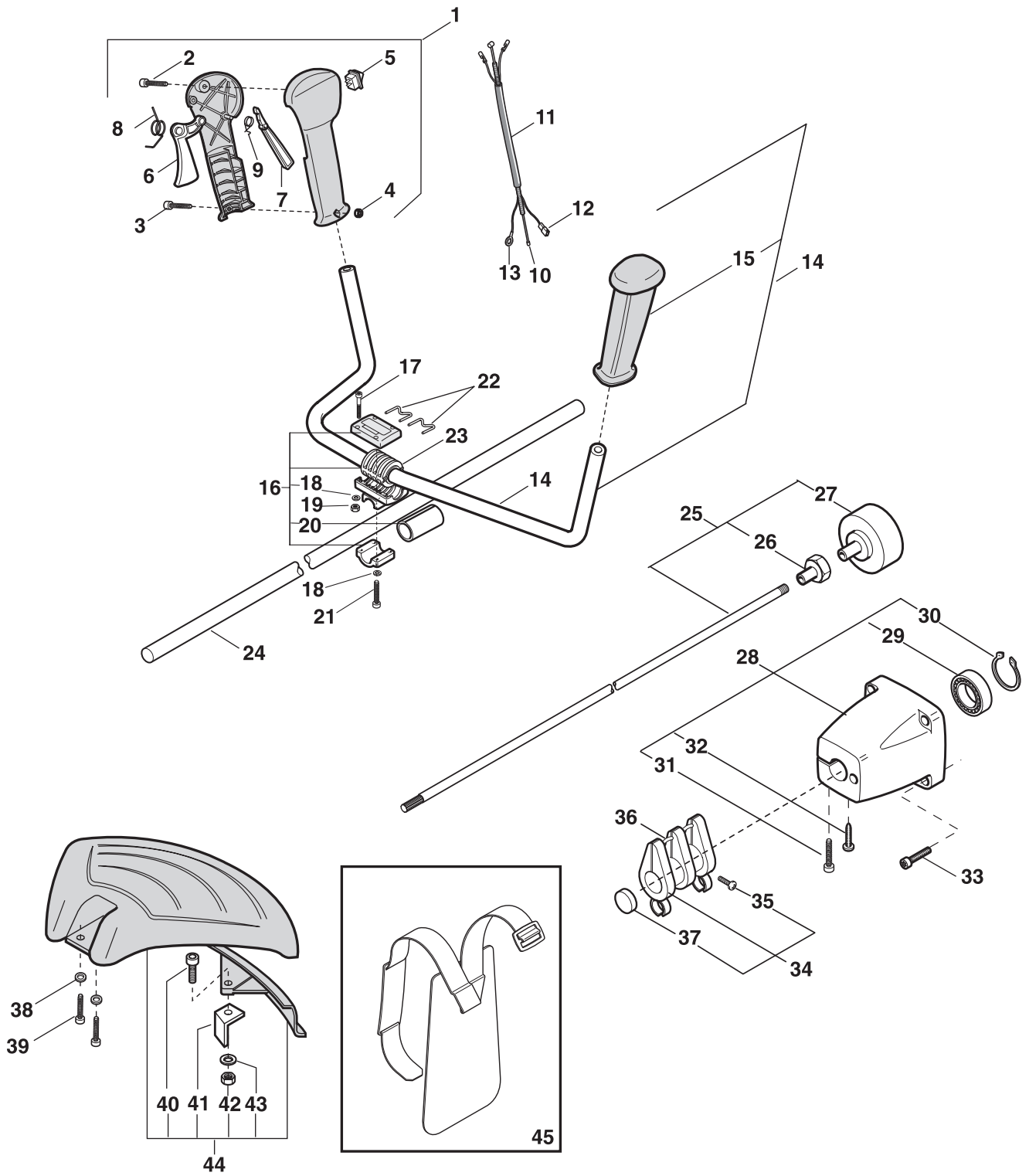


N°	Code	Q.ty	Descrizione	Description	Description	Beschreibung	Remarks
1	3724360	1	Guarniz.Collett-Cilindro	Intake Manif-Gasket	Joint Collect.-Cyl.	Dicht. Kollekt.-Zyl.	
2	3750410	1	Collettore Aspirazione	Intake Manifold	Collecteur Aspiration	Kollektor Ansaugung	
3	2670280	2	Dado	Nut	Ecrou	Mutter	
4	2135050	2	Vite	Screw	Vis	Schraube	
5	3724400	2	Guarniz.Collettore-Carburatore	Intake-Carb Gasket	Joint Collect.-Carb.	Dicht. Kollektor-Verg.	
6	3785070	1	Distanziale Termico	Heat Block	Blocage Thermique	Thermoisolierung	
7	23054009/1	1	Carburatore	Carburettor	Carburateur	Vergaser	Walbro WYJ 400A
8	8750430	1	Supp. Filtro Aria Grigio	Air Filter Holder	Supp. Filtre À Air	Halter Luftfilter	
9	2312090	3	Rosetta	Washer	Rondelle	Scheibe	
10	2135250	2	Vite	Screw	Vis	Schraube	
11	3781630	1	Filtro Aria	Air Filter	Filtre À Air	Luftfilter	
12	4563710	1	Coprifiltro Giallo	Filter Cover Yellow	Couvre-Filtre Jaune	Filterabd. Gelb	
12	4563713	1	Coprifiltro Rosso	Filter Cover Red	Couvre-Filtre Rouge	Filterabd. Rot	
13	2123100	3	Vite	Screw	Vis	Schraube	
14	3613420	1	Rosetta	Washer	Rondelle	Scheibe	
15	4562220	1	Puleggia Avviamento	Starter Pulley	Poulie Démarrage	Riemenscheibe Starter	
16	3723640	1	Disco Molla Avv.To	Disc	Disque	Scheibe Feder Starter	
17	4611480	1	Molla Avv.To	Spring	Ressort	Feder	
18	8563700	1	Carter Avv.To	Starter Recoil Case	Carter Démarreur	Startergehäuse	
19	2135040	12	Vite	Screw	Vis	Schraube	
20	3784030	1	Fune Avv.To	Starter Cord	Câble Démarrage	Seil Starter	
21	3750067	1	Impugnatura Avv.To	Starter Handle	Poignée Démarrage	Griff Starter	
22	3745530	4	Gommino Supp. Serbatoio	Grommet	Rondelle Caoutchouc	Gummiring	
23	4252690	1	Ass. Avviatore (Incl. 13-22)	Starter Ass.Y (Incl. 13-22)	Ens. Démarreur (Incl. 13-22)	Set Kupplung (Inkl. 13-22)	
24	3744870	1	Primer	Primer	Primer	Primer	
25	4353150	1	Kit Memb-Guarniz.	Gasket-Diaph. Set	Kit Membr.-Joint	Set Membr.-Dicht.	

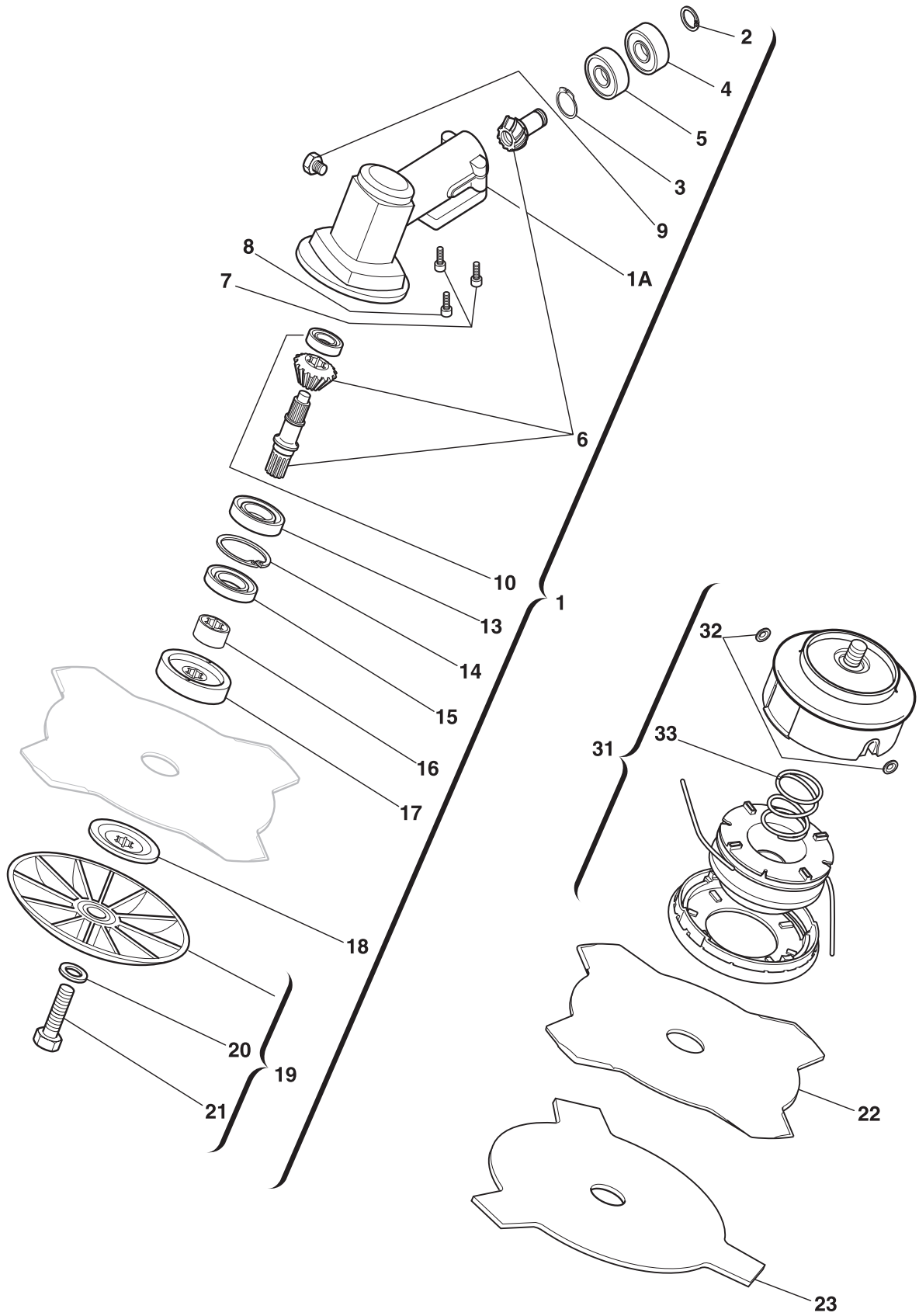




N°	Code	Q.ty	Descrizione	Description	Description	Beschreibung	Remarks
1	8562620/1	1	Ass. Impugnatura Posteriore (Incl.2-11)	Handle Ass.Y (Incl.2-11)	Ens.Poignée (Incl.2-11)	Handgriff Hinten (Inkl.2-11)	
2	2123030	4	Vite	Screw	Vis	Schraube	
3	2123100	2	Vite	Screw	Vis	Schraube	
4	3743475	1	Leva Di Sicurezza	Safety Lever	Levier De Sécurité	Sicherheitshebel	
5	3654300	1	Molla Leva Di Sicurezza	Spring	Ressort	Feder Sicherheitshebel	
6	3743465	1	Leva Acceleratore	Throttle Lever	Levier Accélérateur	Gashebel	
7	3654270/1	1	Molla Leva Acceleratore	Spring	Ressort	Feder Gashebel	
8	3612710	1	Lamierino Di Stop	Stop Plate	Plaque D'Arrêt	Stop-Plättchen	
9	2123070	1	Vite	Screw	Vis	Schraube	
10	3749270	1	Pomello Di Stop	Stop Knob	Bouton D'Arrêt	Stop-Schalter	
11	3749910	1	Riduzione Ø24	Reduction	Réduction	Reduzierstück	
12	4252540	1	Cavo Acceleratore	Wire Ass.Y	Câble Accélér.	Starterkabel	
13	3786030	1	Guaina Cavi	Wire Sheath	Gaine Câbles	Kabelmantel	
14	3211570	1	Cavo Bobina-Interruttore	Coil-Switch Cable	Câble Bobine-Interrupt.	Spulendraht	
15	3211120	1	Cavo Massa	Earth Cable	Câble Masse	Erdungskabel	
16	8563590	1	Ass. Impugnatura Anteriore (Incl.17-19)	Front Handle Ass.Y (Incl.17-19)	Ens.Poignée Avant (Incl.17-19)	Handgriff Vorne (Inkl.17-19)	
17	2135050	4	Vite	Screw	Vis	Schraube	
18	2312090	4	Rondella	Washer	Rondelle	Unterlegscheibe	
19	2412030	4	Dado	Nut	Ecrou	Mutter	
20	8251211	1	Tubo Di Trasmissione Ø 24	Transmission Pipe Ass. Y Ø 24	Ens.Tube Transm. Ø 24	Schaft Ø 24	
21	4251410	1	Ass. Albero Trasmissione (Incl.22,23)	Transmission Shaft Ass.Y (Incl.22,23)	Ens.Arbre Transm. (Incl.22-23)	Set Antriebswelle (Inkl.22,23)	
22	3642221	1	Mozzo Cuscinetto	Bearing Hub	Moyeu Roulement	Lagernabe	
23	4121881/1	1	Ass. Campana Frizione	Clutch Drum	Cloche Embrayage	Set Kupplung	
24	8561600	1	Ass. Supporto Trasmissione (Incl.25-28)	Support Transmission Ass. Y (Incl.25-28)	Ens.Supp. Transm. (Incl.25-28)	Schwungrad Magnet (Inkl.25-28)	
25	3353080	1	Anello Seeger	Ring	Circlip	Ring	
26	3112170	1	Cuscinetto	Bearing	Roul. À Billes	Kugellager	
27	2123140	2	Vite	Screw	Vis	Schraube	
28	2123150	1	Vite	Screw	Vis	Schraube	
29	2135160	4	Vite	Screw	Vis	Schraube	
32	2312150	2	Rondella	Washer	Rondelle	Unterlegscheibe	
33	2135060	2	Vite	Screw	Vis	Schraube	
34	2135030	1	Vite	Screw	Vis	Schraube	
35	3615000	1	Lamierino Tagliafilo	Line Cutter	Coupe-Fil	Drahtscherenblech	
36	12154330/0	1	Dado	Nut	Ecrou	Mutter	
37	2312150	1	Rondella	Washer	Rondelle	Unterlegscheibe	
38	8563570	1	Ass. Paraspruzzi (Incl.34-37)	Safety Cover Ass.Y (Incl.34-37)	Ens. Capot Anti-Projections (Incl.34-37)	Set Spritzschutz (Inkl.34-37)	
39	4253460	1	Bretella Mod.31	Harness Mod.31	Harnais Mod.31	Gurtzeug Mod.31	

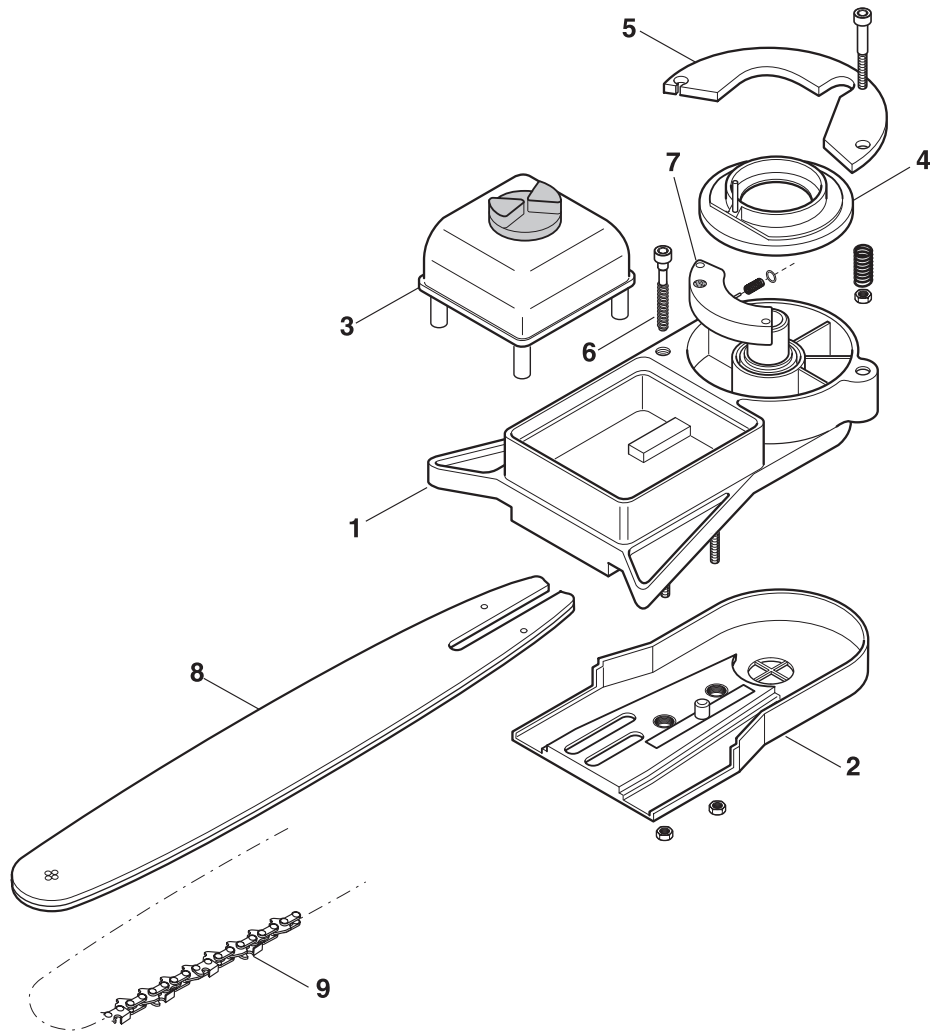


N°	Code	Q.ty	Descrizione	Description	Description	Beschreibung	Remarks
1	8563830	1	Ass. Impugnatura (Incl.2-9)	Handle Ass.Y (Incl.2-9)	Ens.Poignée (Incl.2-9)	Set Handgriff (Incl.2-9)	
2	2123030	1	Vite	Screw	Vis	Schraube	
3	2135050	1	Vite	Screw	Vis	Schraube	
4	12154330/0	1	Dado	Nut	Ecrou	Mutter	
5	3210970	1	Interruttore Stop	Switch	Interrupteur D'Arrêt	Stop-Schalter	
6	3743431/1	1	Leva Acceleratore	Throttle Lever	Levier Accélérateur	Gashebel	
7	3743441	1	Leva Di Sicurezza	Safety Lever	Levier De Sécurité	Sicherheitshebel	
8	3654270/1	1	Molla Leva Acceleratore	Spring	Ressort	Feder Gashebel	
9	3654280/1	1	Molla Leva Di Sicurezza	Spring	Ressort	Feder Sicherheitshebel	
10	4252720	1	Cavo Acceleratore	Wire Ass.Y	Câble Accélér.	Starterkabel	
11	3786240	1	Guaina Cavi	Wire Sheath	Gaine Câbles	Kabelmantel	
12	3211650	1	Cavo Bobina-Interruttore	Coil-Switch Cable	Câble Bobine-Interrupt.	Spulendraht-Schalter	
13	3211660	1	Cavo Massa	Earth Cable	Câble Masse	Erdungskabel	
14	4252710/1	1	Ass. Manubrio (Incl.15-22-23)	Handle Ass.Y	Ens. Guidon	Set Handgriff	
15	3744860/1	1	Impugnatura Sinistra	Left Handle	Poignée Gauche	Handgriff Links	
16	8250397	1	Ass.Supporto Manubrio (Incl.17-21)	Handgrip Support Ass.Y	Ens.Support Guidon	Set Handgriffhalter	
17	2135120	4	Vite	Screw	Vis	Schraube	
18	2312090	4	Rondella	Washer	Rondelle	Unterlegscheibe	
19	12154330/0	4	Dado	Nut	Ecrou	Mutter	
20	3721410	1	Spessore	Rubber Facing	Cale Caoutchouc	Dicke	
21	2123110	4	Vite	Screw	Vis	Schraube	
22	3657470	2	Fermo Manubrio	Handle Lock	Arrêt Guidon	Handgriffssperre	
23	3744162	2	Gommino Antivibrante	Grommet	Caoutchouc Anti-Vibrat.	Schwingungsdämpfer	
24	8251211	1	Ass.Tubo Trasmissione	Transmission Pipe Ass.Y	Ens.Tube Transm.	Schaftgruppe	
25	4251410	1	Ass.Albero Trasmissione (Incl.26-27)	Transm.Shaft Ass.Y (Incl.26-27)	Ens.Arbre Transm. (Incl.26-27)	Motorwelleneinheit (Incl.26-27)	
26	3642221	1	Mozzo Cuscinetto	Bearing Hub	Moyeu Roulement	Lagernabe	
27	4121881/1	1	Ass.Campana Frizione	Clutch Drum	Cloche Embrayage	Reibungsglocke	
28	8561600	1	Ass.Supporto Trasmissione (Incl.29-32)	Supp.Transm.Ass.Y (Incl.29-32)	Ens.Supp. Transm. (Incl.29-32)	Getriebeplattform (Incl.29-32)	
29	3112170	1	Cuscinetto	Bearing	Roul. À Billes	Kugellager	
30	3353080	1	Anello Seeger	Ring	Circlip	Ring	
31	2123140	2	Vite	Screw	Vis	Schraube	
32	2123150	1	Vite	Screw	Vis	Schraube	
33	2135160	4	Vite	Screw	Vis	Schraube	
34	8562512	1	Ass.Supporto Bretelle	Harness Support Ass.Y	Ens.Support Harnais	Set Gurtzeughalter	
35	2123140	4	Vite	Screw	Vis	Schraube	
36	3642530	1	Perno Supporto	Pin	Cheville	Stift	
37	3721410	2	Spessore In Gomma	Rubber Facing	Cale Caoutch.	Gummisperrung	
38	2312150	2	Rondella	Washer	Rondelle	Unterlegscheibe	
39	2135060	2	Vite	Screw	Vis	Schraube	
40	2135030	1	Vite	Screw	Vis	Schraube	
41	3615000	1	Lamierino Tagliafilo	Line Cutter	Coupe-Fil	Drahtscherenblech	
42	2432040	1	Dado	Nut	Ecrou	Mutter	
43	2312150	1	Rondella	Washer	Rondelle	Unterlegscheibe	
44	8563570	1	Ass.Paraspruzzi (Incl.40-43)	Safety Cover Ass.Y (Incl.40-43)	Ens. Capot Anti-Projections (Incl.40-43)	Spritzschutz (Incl.40-43)	
45	4253460	1	Bretella	Harness	Harnais	Gurtzeug	



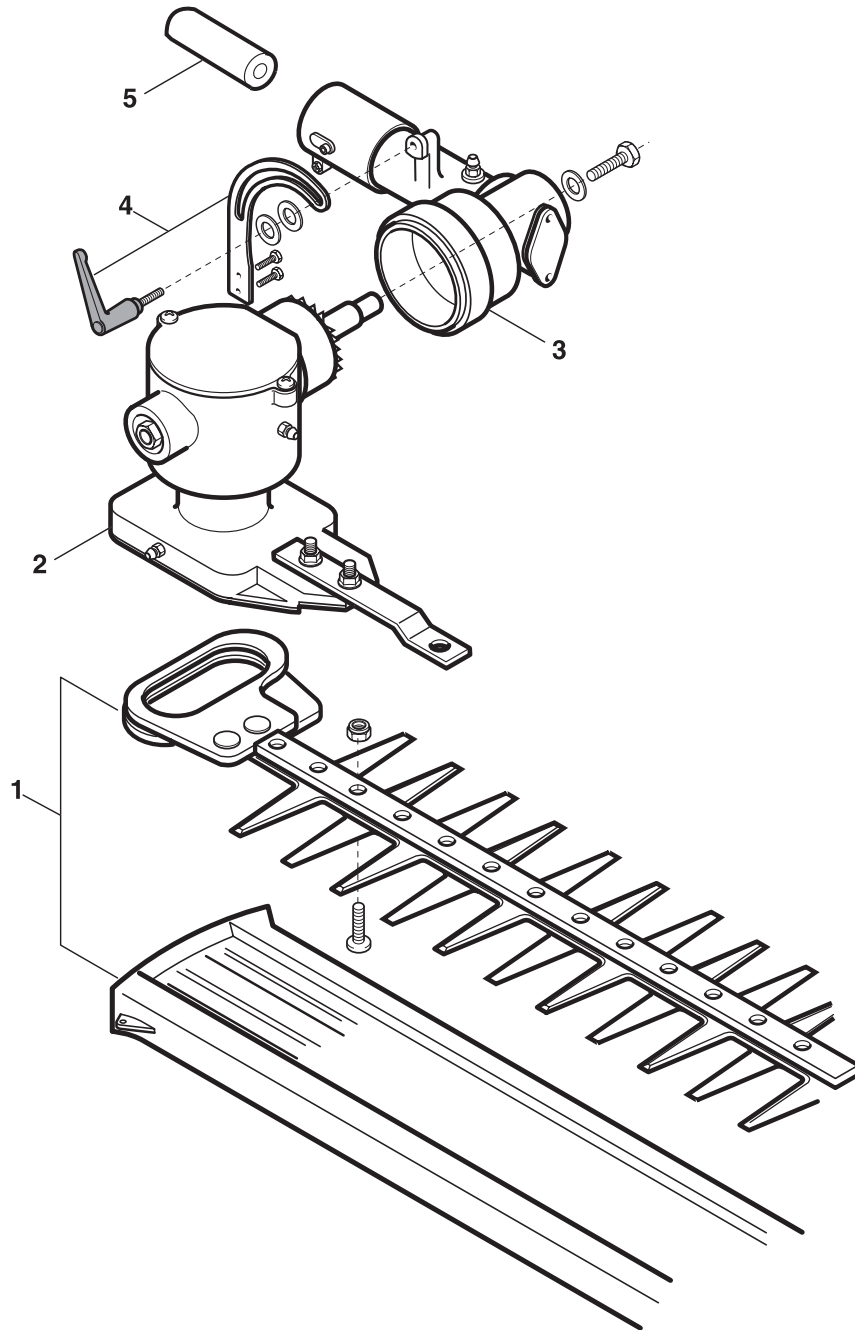


N°	Code		Descrizione	Description	Description	Beschreibung	Remarks
1	4250160/1	1	Ass.Testina Ø24Mm(Incl. 2+21)	Gear Case Assy (Incl. 2+21) [Ø24]	Ens.Boîte Engren. (Incl. 2+21) [Ø24]	Set Zahnradgetriebe (Incl. 2+21) [Ø24]	
1A	4540580/1	1	Carter Testina Ø24Mm	Gear Case [Ø24]	Carter Boîte Engren. [Ø24]	Zahnradgehäuse [Ø24]	
2	3353120	1	Anello Seeger	Ring	Circlip	Ring	
3	3353070	1	Anello Seeger	Ring	Circlip	Ring	
4	3112220	1	Cuscinetto	Bearing	Roul. À Billes	Kugellager	
5	3112210	1	Cuscinetto	Bearing	Roul. À Billes	Kugellager	
6	8180260/1	1	Ass.Coppia Conica Ø24Mm	Gear Assy Ø24Mm	Ens.Engrenages Ø24Mm	GetriebeeinheitØ24Mm	
7	2135050	2	Vite	Screw	Vis	Schraube	
8	2653090	1	Vite	Screw	Vis	Schraube	
9	2653460	1	Vite	Screw	Vis	Schraube	
10	3112230	1	Cuscinetto	Bearing	Roul. À Billes	Kugellager	
13	3112240	1	Cuscinetto	Bearing	Roul. À Billes	Kugellager	
14	3353130	1	Anello Seeger	Ring	Circlip	Ring	
15	3121180	1	Anello Di Tenuta	Seal Ring	Anneau De Tenue	Dichtring	
16	3660680	1	Collare	Collar	Entretoise	Distanzscheibe	
17	3641650	1	Ghiera Superiore	Upper Ring Nut	Bague Supérieure	Oberer Ringbolzen	
18	3612650	1	Ghiera Inferiore	Lower Ring Nut	Bague Inférieure	Unterer Ringbolzen	
19	4560610	1	Coppa Fissa	Stabilizer	Stabilisateur	Stabilisator	
20	2321230	1	Rosetta	Washer	Rondelle	Scheibe	
21	2653170	1	Vite	Screw	Vis	Schraube	
22	4611880	1	Disco 4 Punte 25 Cm	4 Teeth 25 Cm	Lame À 4 Dents 25Cm	4 Zähne 25Cm	
23	6031172	1	Disco 3 Punte 25 Cm	3 Teeth 25 Cm	Lame À 3 Dents 25Cm	3 Zähne 25Cm	
31	4353240/1	1	Testina 2 Fili Tap & Go	2 Hedges Nylon Head	Tête À 2 Fils Nylon	2 Drahtscheibe	
32	3643430	2	Boccole Passafilo	Passafilobushing	Passe-Fils	Büchse	
33	3654590	1	Molla	Spring	Ressort	Feder	





N°	Code	Q.ty	Descrizione	Description	Description	Beschreibung	Remarks
1	6910500	1	Ass. Carter Trasmis. Ø24	Transmis. Case Ass.Y Ø24	Ens.Carter Trasmis. Ø24	Antriebsgeh. Ø24	
2	6910502	1	Carter Catena	Chain Housing	Carter Chaîne	Kettengehäuse	
3	6910503	1	Serbatoio Olio	Oil Tank	Réservoir Huile	Öltank	
4	6910504	1	Coperchio Ø24	Cover Ø24	Couvercle Ø24	Abdeckung Ø24	
5	6910506	1	Flangia	Flange	Bride	Flansch	
6	6910507	1	Vite	Screw	Vis	Schraube	
7	6910508	1	Ass. Pompa Olio	Oil Pump Ass.Y	Pompe À Huile	Set Ölpumpe	
8	4112610	1	Barra 10"	Guide Bar 10"	Guide 10"	Stange 10"	10" 3/8" .042" / 1.1 mm
9	4113551	1	Catena 10"	Chain 10"	Chaîne 10"	Kette 10"	10" 3/8" .042" / 1.1 mm - 38E





N°	Code	Q.ty	Descrizione	Description	Description	Beschreibung	Remarks
1	6910520	1	Ass. Lame	Blade Ass.Y	Ens.Lame	Klingen	
2	6910521	1	Ass. Carter Trasmissione	Transmission Shaft Ass.Y	Ens.Carter Transmission	Antriebsgeh.	
3	6910522	1	Ass. Testina	Gear Case Ass.Y	Ens.Boîte Engrenage	Antriebsgehäuse	
4	6910523	1	Leva+Staffa Di Regolazione	Lever+Regulation Rod	Levier+Barre De Réglage	Hebel+Regelungsbügel	
5	3643270	1	Manicotto	Coupling	Manchon	Muffe	